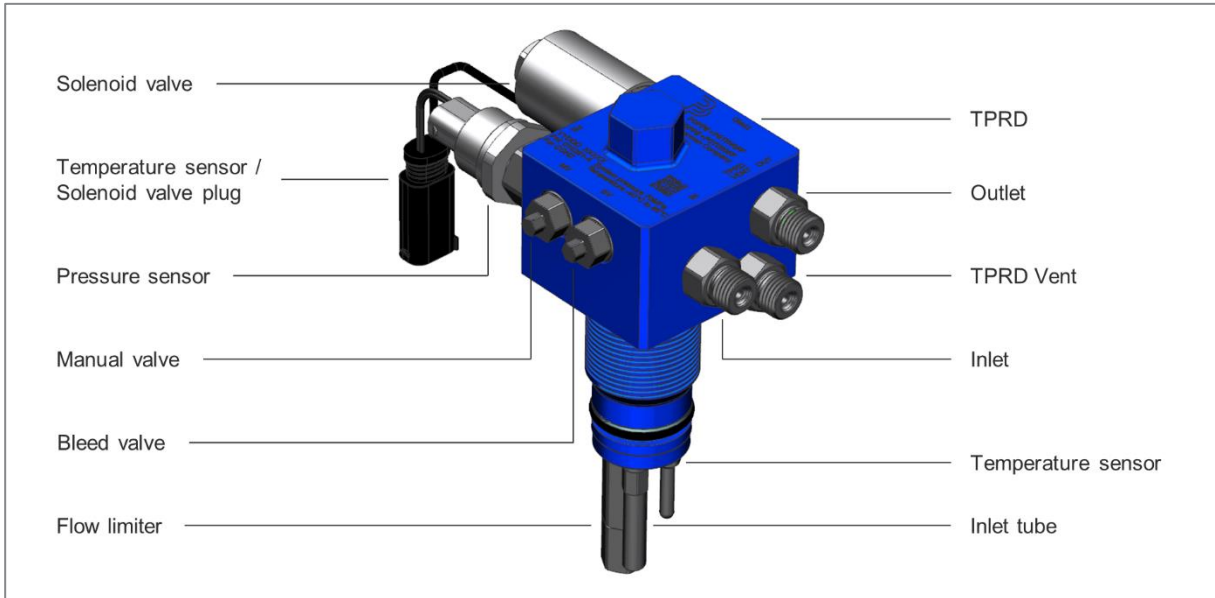


# On Tank Valve (OTV) Assembly 1.5

Item No 019391-A

Product specification

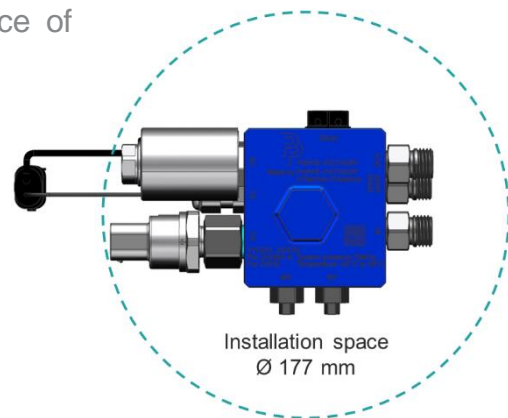


The **On Tank Valve** (OTV) 019391-A is used to ensure safe fueling and defueling processes and the storage of gas in stationary and mobile deployed H<sub>2</sub> tanks.

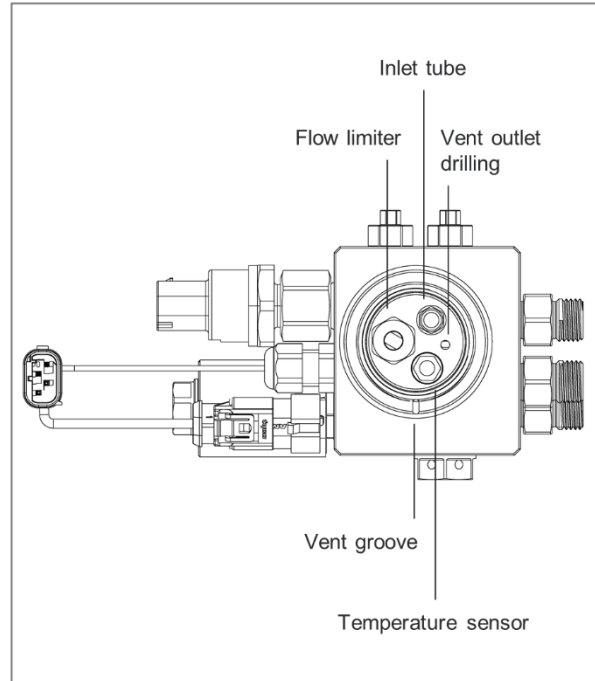
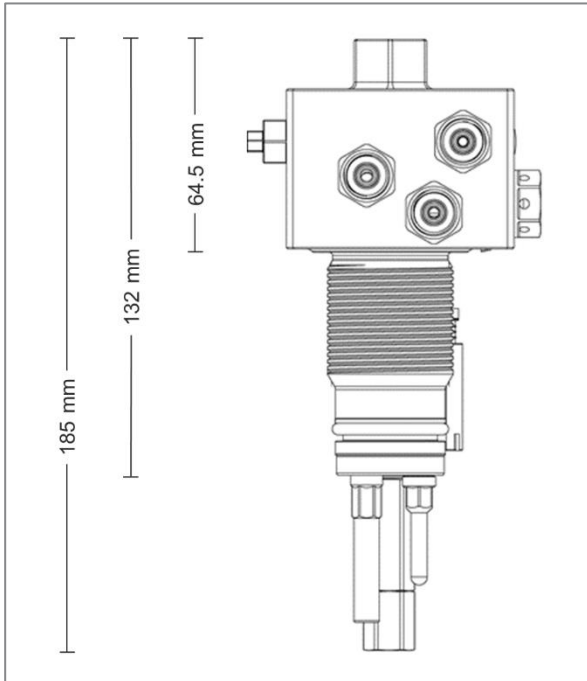
With its optimized modular design, it enables the compliance of individual customer requirements while meeting relevant legal standards (EC79/2009 and EU406/2010).



For installing the OTV, only an installation space of 177 mm is required.



Technical features

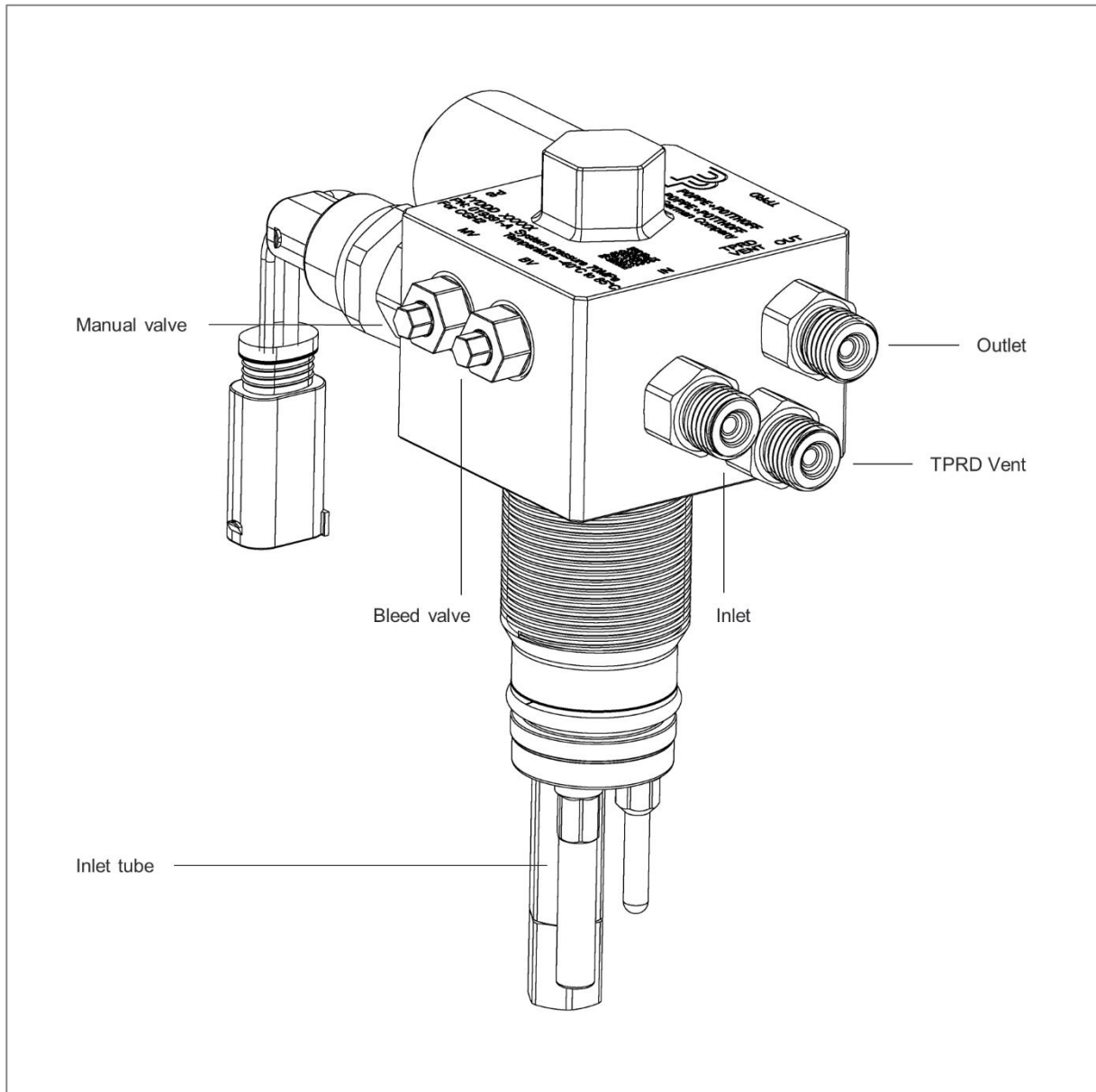


OTV	
Technical data   Operating conditions	
Installation space	Ø 177 mm
Height OTV Body	132 mm
Height OTV Body + attachment parts	185 mm
Height OTV Body (screwed in)	64.5 mm
Weight OTV Body	approx. 660 g
Weight OTV Body + attachment parts	approx. 1300 g
Tank interface	1½"-12 UNF-2A
Material OTV Body	Aluminum
Sealing types	Metal-to-metal, O-Ring, PEEK
Operating temperature	-40 to +85 °C
Nominal working pressure	700 bar
Maximum allowed working pressure	875 bar
Proof pressure	1050 bar
Mass flow (Fueling   Defueling)	validation pending
Medium	Hydrogen
Leak rate (acc. EC79   EU406)	< 10 Ncm³/h

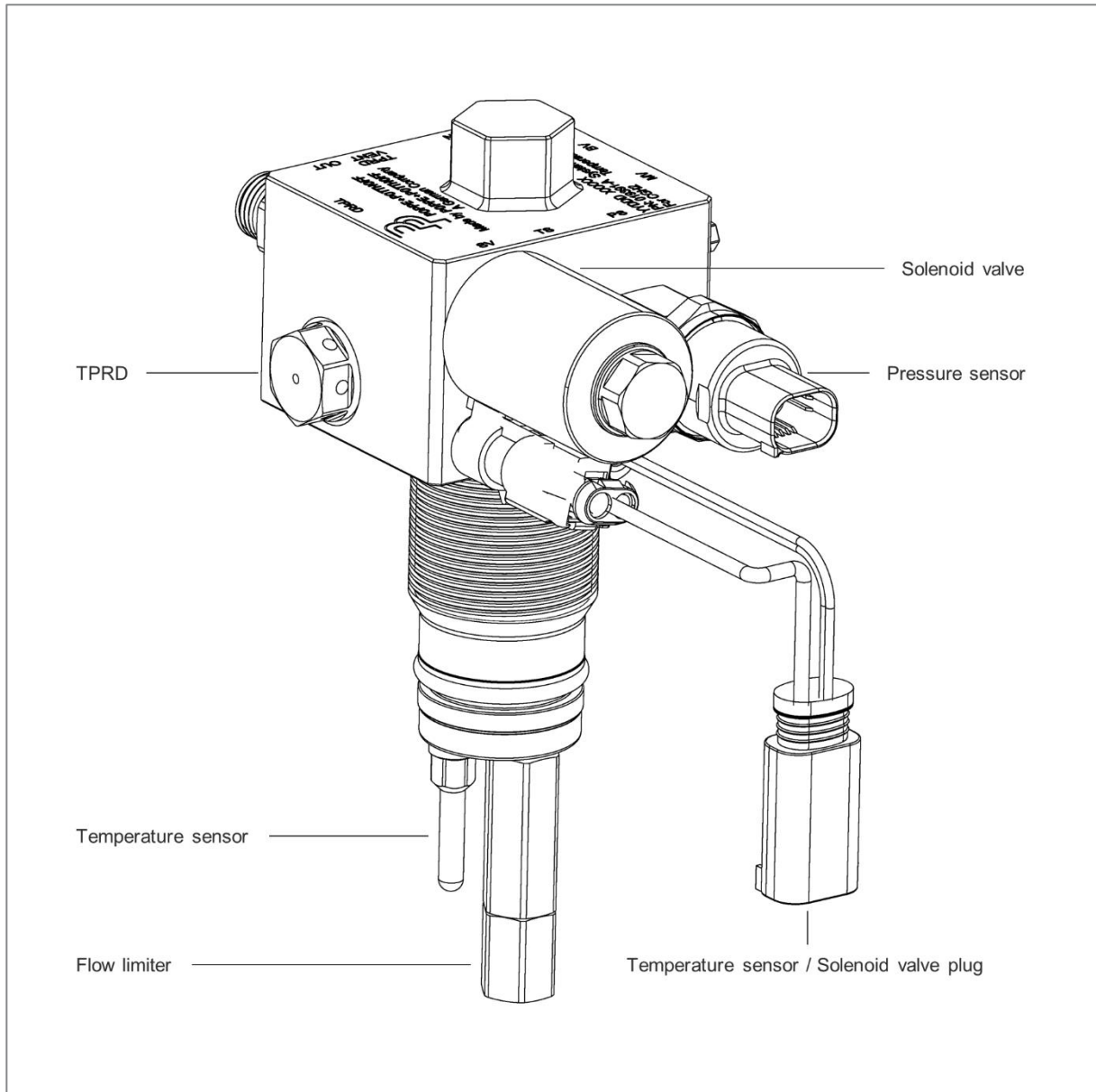
Attachment parts	
Technical data   Operating conditions	
Solenoid valve	
Operating voltage	12 V DC (PWM Signal)
Thermal Pressure Relief Device (TPRD)	
Trigger temperature	110±5 °C
Min. Flow diameter	2.5 mm
Temperature sensor	
Temperature element	Discrete NTC Thermistor
Operating temperature	-60 to +150 °C
Flow limiter	
Activation flow rate (@ 35 bar / 50 °C) <sup>1)</sup>	approx. 2.0 g/s
Filter pore size	10 µm
Interfaces   Thread definitions   Ports	
Pressure sensor (optional; via adapter)	M14x1-6H
Manual valve   Bleed valve	M16x1-6H
Inlet tube	M8x0.75-6H
Pipe connection (Inlet   TPRD Vent   Outlet)	M14x1.5-6g

1) Deviations from these characteristics are possible, but must be considered separately

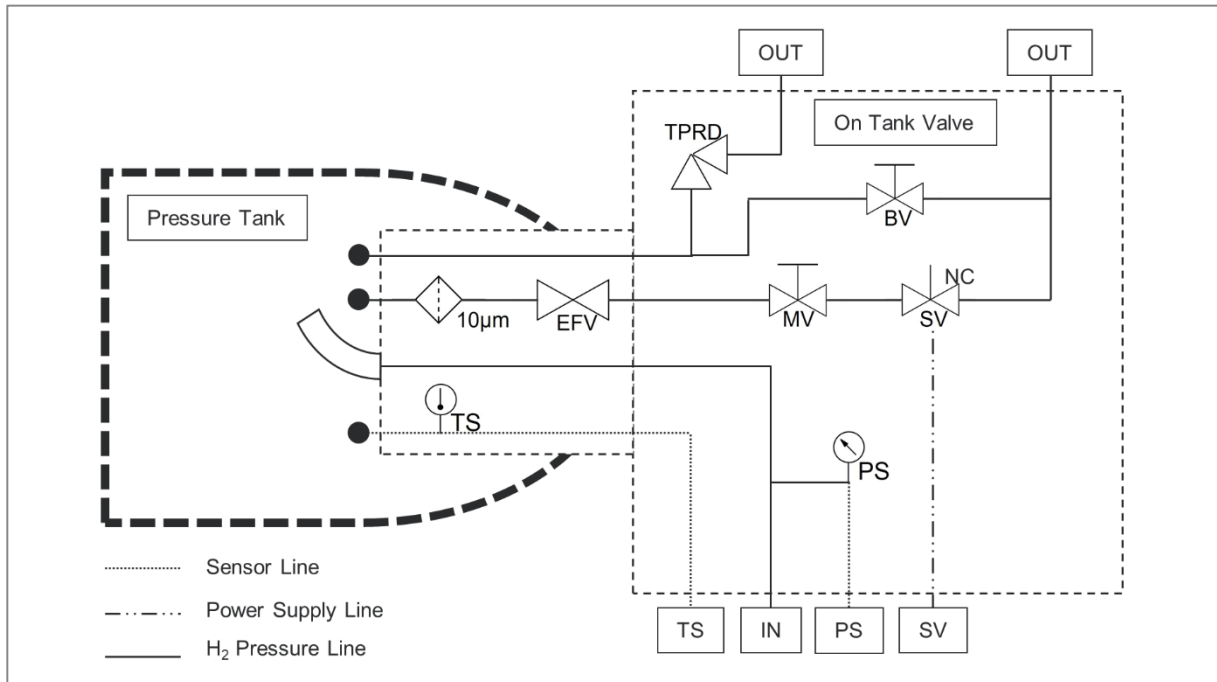
## Technical features



## Technical features



Circuit diagram



## Certification & safety information

The product may only be used after installation by qualified personnel according to the corresponding installation guide. Usage for production of commercial goods is only permitted in certified countries. Otherwise, the product may only be used for testing purposes.

### Certificates

#### Europe

EC 79/2009 / EU406/2010	Certification pending
-------------------------	-----------------------

UN/ECE R134	Certification pending
-------------	-----------------------

#### Greater China (China, Taiwan, Hong Kong, Macau)

GB/T 35544-2017	Certification pending
-----------------	-----------------------

EC 79/2009 / EU406/2010	Certification pending
-------------------------	-----------------------

#### North America (USA, Canada)

HGV 3.1-2015	Certification pending
--------------	-----------------------

### Poppe + Potthoff GmbH

Dammstraße 17

32824 Werther

Germany

Phone: +49 (0) 5203 91 66 0

Fax: +49 (0) 5203 91 66 100

info@poppe-potthoff.com

www.poppe-potthoff.com

